

- 7.- Damage caused by water freezing inside the product.
- 8.- Accident damage, fire or other circumstances outside the control of Emaux.
- 9.- Items had been repaired or altered in any way by any person that is not authorized by Emaux.
- 10.- Wear & tear parts.

**4.2.- CLAIM PROCESS:**

Summary of Emaux Claim Process in 3 steps:

- a) Claim: Customer contacts Emaux salesperson and provides completed details of the claim which includes:
  - a. Information about the failed product such as the part number(s) and serial number(s).
  - b. Description of the complaint/failure.
  - c. Pictures
- b) Once the complaint is received, the product quality incident will then be reviewed by Emaux's Quality Control Department following the "Emaux Warranty Policy".
- c) Conclusion: After the investigation is completed, Emaux will inform the distributor accordingly.

**4.3. - WARRANTY OBLIGATION:**

Emaux warrants any of above items from workmanship and/or material(s).

Should a defect become evident during the term of warranty, Emaux will, at its option, repair or replace such item or part at its own cost and expense. Customer will need to follow the warranty claim procedures from Emaux in order to obtain the benefit on this warranty.

Emaux is not, however, responsible under this warranty for any cost of shipping or transportation of the equipment or parts thereof "to" or "from" our technical operations.

Emaux is not able to liable for any loss of time, inconvenience, incidental expenses such as labor cost, phone calls, legal cost or material cost incurred in connection with the replacement or removal of the equipment, or any other consequential or incidental damage on persons or assets. Emaux will be not responsible for any business profit loss operation stop due to the non-conformity product equipment. No indemnity or damages can be claimed on any account whatever.

**4.4. - WARRANTY OR REPRESENTATIONS BY OTHERS:**

No dealer or other person has authority to make any warranty or representation concerning Emaux or its products.

Accordingly, Emaux is not responsible for any such warranty or representation.



**WATER LEVEL REGULATOR**

**MANUAL INSTALLATION.**

**MODEL:**  
RO-7

# MANUAL INSTALLATION

## WATER LEVEL REGULATOR

Model: RO-7

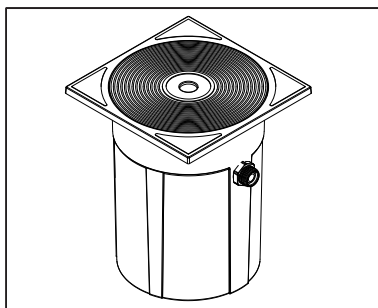
Codes: 88570203

**IMPORTANT:** This instruction manual includes essential information on the safety measures to be implemented for installation and startup. Therefore, the installer as well as the user must read the instructions before starting installation and startup. Keep this manual for future reference.

### 1.- WATER LEVEL REGULATOR:

Water level regulator allows fresh water to refill the pool when the pool water level is low due to evaporation, water loses for the bathers, etc.

A float in the water level regulator is connected to the fresh water source through a valve. When the pool water level is low, the float is at a low position and opens the valve letting the fresh water come in. Once the float position reaches to the maximum water level, it closes the valve.



### 2.- INSTALLATION:

Water level regulator is installed near to the pool and connected to the pool through a pipe  $\varnothing$  50 mm (Metric model) or 1 1/2" (Imperial model).

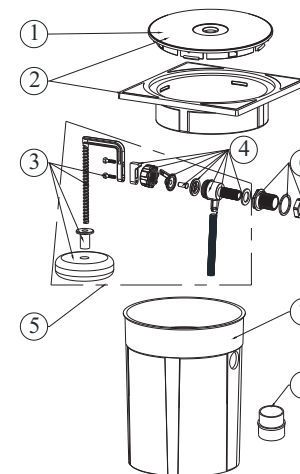
There are two different connections options: bottom connection or lateral connections.

The fresh water pipes connection is  $\varnothing$  20 mm or 3/4" BSP.

Maximum working pressure is 2.5 bar.

### 3.- SPARE PARTS LIST:

POS.	CODE	PRODUCT DESCRIPTION	POS.	CODE	PRODUCT DESCRIPTION
1	01050158	Skimmer Lid	5	89150711	Valve assembly
2	89150708	Square Rim with lid.	6	89150712	Fixation valve unit
3	89150709	Level regulator float arm assembly	7	01050175	Level regulator
4	89150710	Adjustable nozzle	8	01170009	1.5" conversion Connector



### 4. - WARRANTY POLICY:

Emaux manufactures its products with the highest standard of workmanship, using the best materials available through state of the art process. Emaux proudly warrants its products as follows:

<b>EXTENDED WARRANTY FOR SPECIFIC PRODUCTS (OFFERED FROM DATE OF INVOICE).</b>	
<b>Product</b>	<b>Warranty Period</b>
Filters & Filter Systems	2 years
Pumps	1 year
Underwater Lights	1 year (bulbs 90 days)
Ladders	1 year
Control devices	1 year
Heat Pumps & Heat Exchangers	1 year
Salt Chlorinators & UV Systems	1 year (2 years for cell material)
Pool Fittings	1 year
Cleaning Equipment & All others	1 year

#### 4.1. - EXCEPTIONS THAT MAY RESULT IN DENIAL OF A WARRANTY CLAIM:

- 1.- Damage caused by careless handling, improper repackaging or shipping.
- 2.- Damage due to misapplication, misuse, abuse or failure to operate and install the equipment as specified in this manual.
- 3.- Damage caused by a misuse, abuse or failure to operate and install the equipment out of the scope of a professional level demanded in similar equipment or installation type.
- 4.- Damage due to unauthorized product modifications or failure to use Emaux original replacement parts.
- 5.- Damaged caused by negligence or failure to properly maintain products as specified in this manual.
- 6.- Damage caused by failure to maintain water chemistry in conformity with the standards of the swimming pool industry for any length of time.