

# COMMERCIAL FILTERS

## COMMERCIAL FILTERS

- Fiberglass wound tank, UV and corrosion resistant.
- Manual Air Release Valve and air tube enables easy release of trapped air during operation and testing.
- Sight glass and Manhole are available in option.
- Lateral configuration for maximum hydraulic performance.
- Nozzle plate system ensures uniform flow for both filtering and backwashing ensuring maximum performance through the media bed. Save up to 25% of backwash water.
- Lateral and nozzle plate are available in option.



Cover Lid



Manhole



Sight glass



Pressure Control Manometer Panel

- ➔ Maximum Working Pressure: 250kpa/36psi/2.5bar or 400kpa/58psi/4.0bar.
- ➔ Factory Testing Pressure: 400kpa/58psi/4.0bar or 600kpa/86psi/6.0bar.
- ➔ Maximum Temperature: 50 °C (122F).
- ➔ Size of Gravel: 1mm~2mm.
- ➔ Size of Silica Sand: 0.5mm~0.8mm.

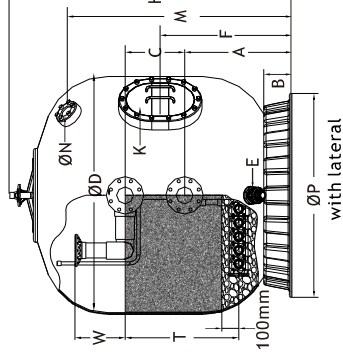
### WITH LATERAL

Model	Tank Diameter (mm)	Tank Height (mm)	Design Flow (m³/h)	Filter Area (m²)	Connections (mm)	Sand Weight (kg)	Gravel Weight (kg)
K1200	1200	1400	45	1.13	90	1250	300
K1400	1400	1600	61	1.54	110	1760	500
K1600	1600	1750	80	2.01	110	2450	750
K1800	1800	1950	101	2.54	160	3100	750
K2000	2000	2140	125	3.14	160	3800	1150
K2300	2300	2350	166	4.15	200	5030	1600
K2350	2350	2350	175	4.34	200	5275	1800
K2500	2500	2450	200	4.9	200	5950	2200
K3000	3000	2650	282	7.07	200	8600	3300

### WITH NOZZLE

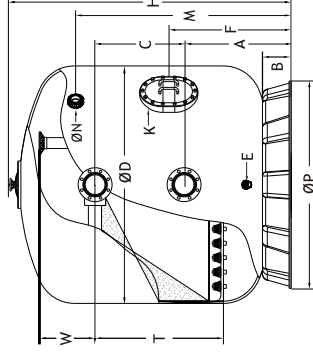
Model	Tank Diameter (mm)	Tank Height (mm)	Design Flow (m³/h)	Filter Area (m²)	Connections (mm)	Sand Weight (kg)	Gravel Weight (kg)
K1400N	1420	1900	61	1.54	110	1800	220
K1600N	1620	2000	80	2.01	110	2300	300
K1800N	1830	2100	101	2.54	160	2900	360
K2000N	2030	2200	125	3.14	160	3600	480
K2300N	2300	2350	166	4.15	200	4800	580
K2500N	2500	2400	200	4.90	200	5700	680

# COMMERCIAL FILTERS



with lateral

Model	K1200	K1400	K1600	K1800	K2000	K2300	K2350	K2500	K3000
ØD(mm)	1200	1400	1600	1800	2000	2300	2350	2500	3000
H(mm)	1400	1600	1750	1950	2140	2350	2350	2450	2650
A(mm)	360	650	680	730	800	940	940	960	1020
B(mm)	165	165	215	215	240	240	240	240	350
C(mm)	340	350	450	550	550	600	600	600	600
E(mm)	60	60	60	60	60	60	60	60	60
F(mm)	740	800	875	910	1050	1070	1070	1100	1130
M(mm)	180X180	400X300	400X300	400X300	400X300	450X350	450X350	450X350	450X350
A1(mm)	1150	1250	1450	1650	1700	1800	1800	1900	2150
N1(mm)	80	80	80	80	80	80	80	80	80
N2(mm)	980	1215	1450	1610	1800	2010	2010	2010	2650
T1(mm)	600	700	800	850	900	1000	1000	1050	1100
W1(mm)	300	300	320	320	350	400	400	400	450

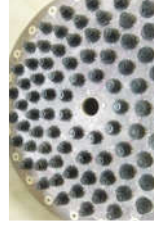


with nozzle

Model	K1400N	K1600N	K1800N	K2000N	K2300N	K2500N
ØD(mm)	1420	1620	1830	2030	2300	2500
H(mm)	1900	2000	2100	2200	2350	2400
A1(mm)	700	810	850	900	940	960
B1(mm)	165	215	215	240	240	240
C1(mm)	550	550	550	550	600	600
E1(mm)	40	40	40	40	40	40
F1(mm)	850	900	980	1030	1070	1100
K1(mm)	300X400	300X400	300X400	300X400	300X400	300X400
M1(mm)	1400	1500	1600	1650	1800	1900
N1(mm)	80	80	80	80	80	80
ØP1(mm)	1215	1450	1610	1610	1800	2010
T1(mm)	1000	1000	1000	1000	1000	1000
W1(mm)	300	320	320	350	400	400



Lateral



Nozzle

